



# ATyS r - ATyS d

## Remotely operated Transfer Switching Equipment

from 125 to 3200 A

Transfer switches



### Function

ATyS r and ATyS d are three-phase remotely operated motorised transfer switches, 3 or 4 poles, with positive break indication.

They enable the on load transfer of two three-phase power supplies via remote volt-free contacts, from either an external automatic controller, using pulse logic, or a switch.

They are intended for use in low voltage power systems where interruption of the load supply is acceptable during transfer.

### Advantages

#### Watchdog relay to check product availability

ATyS r and ATyS d products are equipped with a Watchdog relay which constantly monitors your product, thereby securing the installation.

This relay informs in real time the user of the product's availability, i.e. whether it is operational and ready for source switching.

#### Integrated auxiliary contacts

As part of the product monitoring function, the ATyS r and ATyS d enable the transmission of information relating to their position. This is possible thanks to the standard integration of an auxiliary contact for each position.

#### Extended power supply range

ATyS r and ATyS d products offer greater availability thanks to their extensive power supply range of 208 to 277 VAC  $\pm$  20%.

#### ATyS d: integrated dual power supply

In addition to the functions offered by the ATyS r, the ATyS d incorporates supply redundancy without the need for additional wiring. This is obtained by integrating a double supply (2 independent power supplies) directly within the product.

### The solution for

- > Applications with an external ATS/AMF controller
- > Building Management Systems (BMS)



### Strong points

- > Watchdog relay to check product availability
- > Integrated auxiliary contacts
- > Extended power supply range
- > ATyS d: integrated dual power supply

### Conformity to standards

- > IEC 60947-6-1
- > IEC 60947-3



### External automatic controller

- > The ATyS r and ATyS d are compatible with our ATyS C30 external controllers (for mains/mains and mains/genset applications) and ATyS C40 controllers (for genset/genset applications).

## References

| Rating (A) /<br>Frame size | No. of poles | ATyS r    | ATyS d    | Bridging bars                        | Terminal<br>shrouds  | Terminal<br>screens  | Auxiliary<br>contact     | 3 position<br>padlocking | Auto<br>transformer      |
|----------------------------|--------------|-----------|-----------|--------------------------------------|--|--|--------------------------|--------------------------|--------------------------|
| 125 A / B3                 | 3 P          | 9523 3012 | 9533 3012 |                                      |  |  |                          |                          |                          |
|                            | 4 P          | 9523 4012 | 9533 4012 |                                      |  |  |                          |                          |                          |
| 160 A / B3                 | 3 P          | 9523 3016 | 9533 3016 | 3 P<br>4109 3019<br>4 P<br>4109 4019 | 3 P<br>2694 3014 <sup>(2)</sup><br>4 P<br>2694 4014 <sup>(2)</sup> | 3 P<br>1509 3012<br>4 P<br>1509 4012                               |                          |                          |                          |
|                            | 4 P          | 9523 4016 | 9533 4016 |                                      |  |  |                          |                          |                          |
| 200 A / B3                 | 3 P          | 9523 3020 | 9533 3020 |                                      |  |  |                          |                          |                          |
|                            | 4 P          | 9523 4020 | 9533 4020 |                                      |  |  |                          |                          |                          |
| 250 A / B4                 | 3 P          | 9523 3025 | 9533 3025 | 3 P<br>4109 3025<br>4 P<br>4109 4025 |  |  | 1599 0002 <sup>(4)</sup> | 9599 0003 <sup>(4)</sup> |                          |
|                            | 4 P          | 9523 4025 | 9533 4025 |                                      |  |  |                          |                          |                          |
| 315 A / B4                 | 3 P          | 9523 3031 | 9533 3031 | 3 P<br>4109 3039<br>4 P<br>4109 4039 | 3 P<br>2694 3021 <sup>(2)</sup><br>4 P<br>2694 4021 <sup>(2)</sup> | 3 P<br>1509 3025<br>4 P<br>1509 4025                               |                          |                          |                          |
|                            | 4 P          | 9523 4031 | 9533 4031 |                                      |  |  |                          |                          |                          |
| 400 A / B4                 | 3 P          | 9523 3040 | 9533 3040 |                                      |  |  |                          |                          |                          |
|                            | 4 P          | 9523 4040 | 9533 4040 |                                      |  |  |                          |                          |                          |
| 500 A / B5                 | 3 P          | 9523 3050 | 9533 3050 | 3 P<br>4109 3050<br>4 P<br>4109 4050 | 3 P<br>2694 3051 <sup>(2)</sup><br>4 P<br>2694 4051 <sup>(2)</sup> | 3 P<br>1509 3063 <sup>(3)</sup><br>4 P<br>1509 4063 <sup>(3)</sup> |                          |                          | 400/230 VAC<br>1599 4064 |
|                            | 4 P          | 9523 4050 | 9533 4050 |                                      |  |  |                          |                          |                          |
| 630 A / B5                 | 3 P          | 9523 3063 | 9533 3063 | 3 P<br>4109 3063<br>4 P<br>4109 4063 |  |  |                          |                          |                          |
|                            | 4 P          | 9523 4063 | 9533 4063 |                                      |  |  |                          |                          |                          |
| 800 A / B6                 | 3 P          | 9523 3080 | 9533 3080 | 3 P<br>4109 3080<br>4 P<br>4109 4080 |  | 3 P<br>1509 3080 <sup>(3)</sup><br>4 P<br>1509 4080 <sup>(3)</sup> | 1599 0032 <sup>(4)</sup> |                          |                          |
|                            | 4 P          | 9523 4080 | 9533 4080 |                                      |  |  |                          |                          |                          |
| 1000 A / B6                | 3 P          | 9523 3100 | 9533 3100 |                                      |  |  |                          |                          |                          |
|                            | 4 P          | 9523 4100 | 9533 4100 |                                      |  |  |                          |                          |                          |
| 1250 A / B6                | 3 P          | 9523 3120 | 9533 3120 | 3 P<br>4109 3120<br>4 P<br>4109 4120 |  |  |                          |                          |                          |
|                            | 4 P          | 9523 4120 | 9533 4120 |                                      |  |  |                          |                          |                          |
| 1600 A / B7                | 3 P          | 9523 3160 | 9533 3160 | 3 P<br>4109 3160<br>4 P<br>4109 4160 |  | 3 P<br>1509 3160 <sup>(3)</sup><br>4 P<br>1509 4160 <sup>(3)</sup> |                          | 9599 0004 <sup>(4)</sup> |                          |
|                            | 4 P          | 9523 4160 | 9533 4160 |                                      |  |  |                          |                          |                          |
| 2000 A / B8                | 3 P          | 9523 3200 | 9533 3200 |                                      |  |  |                          |                          |                          |
|                            | 4 P          | 9523 4200 | 9533 4200 |                                      |  |  |                          |                          |                          |
| 2500 A / B8                | 3 P          | 9523 3250 | 9533 3250 | (1)                                  |  | 3 P<br>1509 3200 <sup>(3)</sup><br>4 P<br>1509 4200 <sup>(3)</sup> | included                 |                          |                          |
|                            | 4 P          | 9523 4250 | 9533 4250 |                                      |  |  |                          |                          |                          |
| 3200 A / B8                | 3 P          | 9523 3320 | 9533 3320 |                                      |  |  |                          |                          |                          |
|                            | 4 P          | 9523 4320 | 9533 4320 |                                      |  |  |                          |                          |                          |

(1) See "Copper bar connection kits" page 71.

(2) To fully shroud front, rear, top and bottom 4 references required.

To shroud front switch top and bottom 2 references required.

(3) 2 pieces: one for top side and another for bottom side.

(4) Factory mounting only.

### Technical information

- > Accessories: see page 70.
- > Characteristics: see page 76.
- > Terminals and connections: see page 78.
- > Dimensions: see page 80.

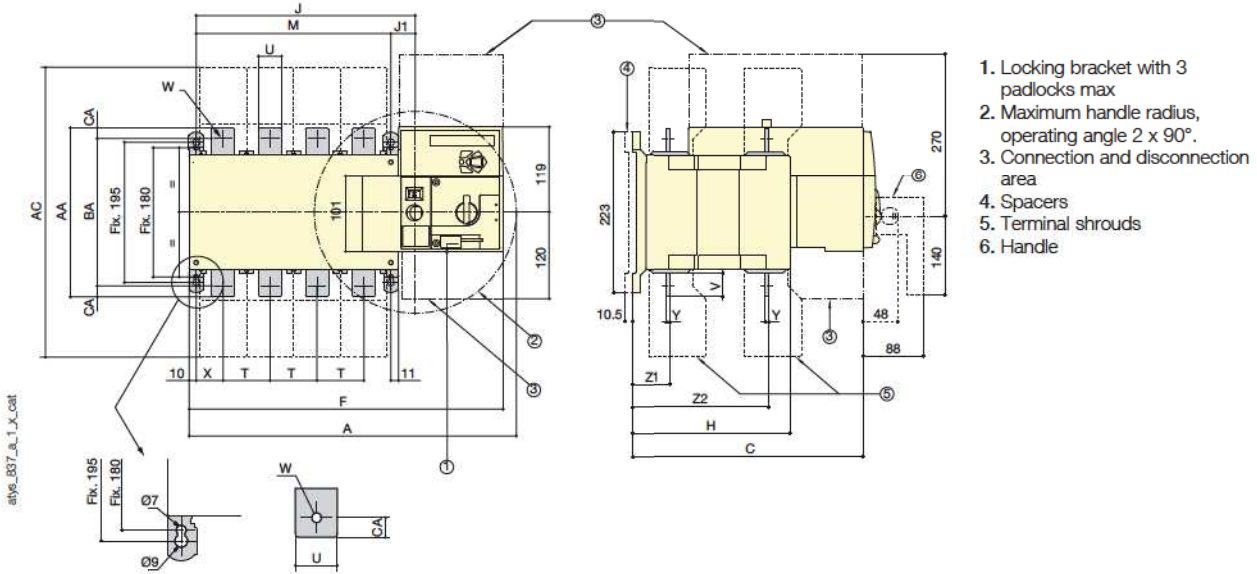
# ATyS range

ATyS, ATyS d, ATyS t, ATyS g, ATyS p

from 125 to 3200 A

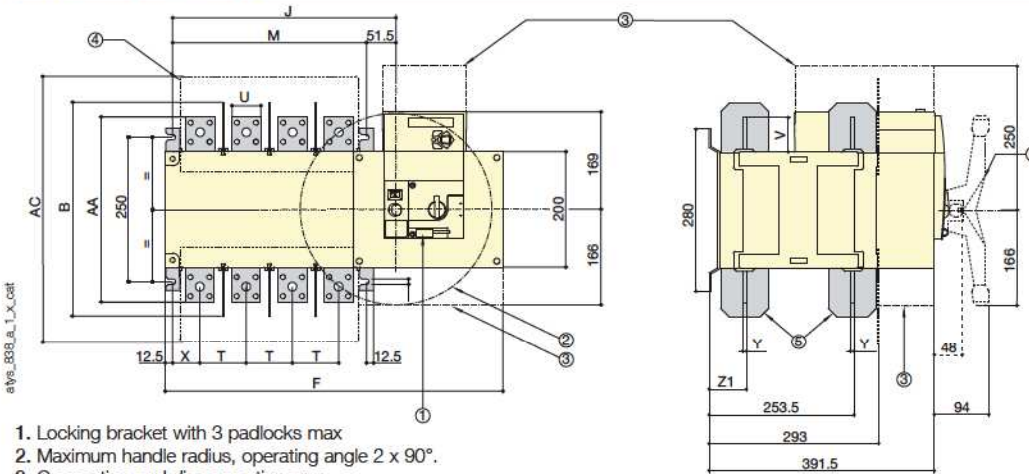
## Dimensions

### ATyS 125 to 630 A



| Rating (A) | Overall dimensions |       |       | Terminal shrouds | Body  |       |     |       |       |    | Switch mounting |       | Connection |    |    |    |       |       |     |      |       |     |     |    |
|------------|--------------------|-------|-------|------------------|-------|-------|-----|-------|-------|----|-----------------|-------|------------|----|----|----|-------|-------|-----|------|-------|-----|-----|----|
|            | A 3p.              | A 4p. | C     | AC               | F 3p. | F 4p. | H   | J 3p. | J 4p. | J1 | M 3p.           | M 4p. | T          | U  | V  | W  | X 3p. | X 4p. | Y   | Z1   | Z1    | AA  | BA  | CA |
| 125        | 304                | 334   | 244   | 233              | 286.5 | 317   | 151 | 154   | 184   | 34 | 120             | 150   | 38         | 20 | 25 | 9  | 28    | 22    | 3.5 | 38   | 134   | 135 | 115 | 10 |
| 160        | 304                | 334   | 244   | 233              | 286.5 | 317   | 151 | 154   | 184   | 34 | 120             | 150   | 38         | 20 | 25 | 9  | 28    | 22    | 3.5 | 38   | 134   | 135 | 115 | 10 |
| 200        | 304                | 334   | 244   | 233              | 286.5 | 317   | 151 | 154   | 184   | 34 | 120             | 150   | 38         | 20 | 25 | 9  | 28    | 22    | 3.5 | 38   | 134   | 135 | 115 | 10 |
| 250        | 345                | 395   | 244   | 288              | 328   | 378   | 152 | 195   | 245   | 35 | 160             | 210   | 50         | 25 | 30 | 11 | 33    | 33    | 3.5 | 39.5 | 133.5 | 160 | 130 | 15 |
| 315        | 345                | 395   | 244   | 288              | 328   | 378   | 152 | 195   | 245   | 35 | 160             | 210   | 50         | 25 | 30 | 11 | 33    | 33    | 3.5 | 39.5 | 133.5 | 160 | 130 | 15 |
| 400        | 345                | 395   | 244   | 288              | 328   | 378   | 152 | 195   | 245   | 35 | 160             | 210   | 50         | 35 | 35 | 11 | 33    | 33    | 3.5 | 39.5 | 133.5 | 170 | 140 | 15 |
| 500        | 394                | 454   | 320.5 | 402              | 377   | 437   | 221 | 244   | 304   | 34 | 210             | 270   | 65         | 45 | 50 | 13 | 42.5  | 37.5  | 5   | 53   | 190   | 280 | 220 | 20 |
| 630        | 394                | 454   | 320.5 | 402              | 377   | 437   | 221 | 244   | 304   | 34 | 210             | 270   | 65         | 45 | 50 | 13 | 42.5  | 37.5  | 5   | 53   | 190   | 280 | 220 | 20 |

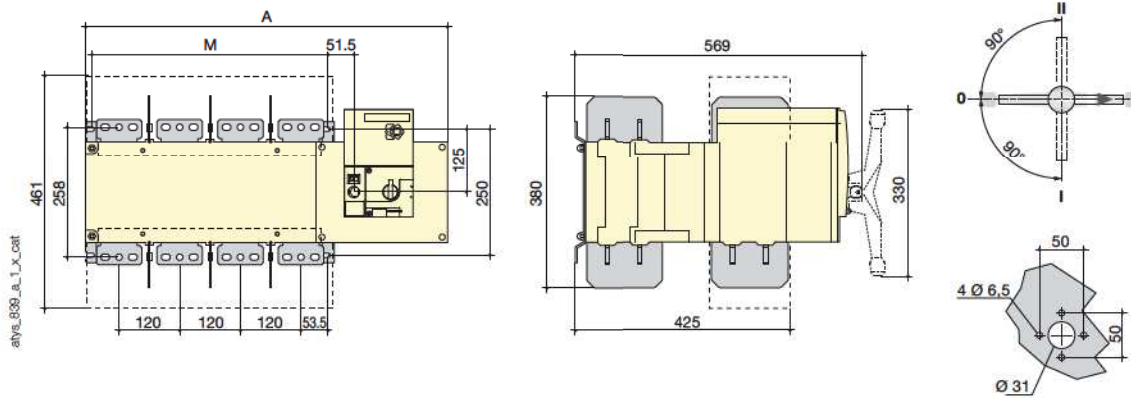
### ATyS 800 to 1800 A



1. Locking bracket with 3 padlocks max
2. Maximum handle radius, operating angle 2 x 90°.
3. Connection and disconnection area
4. Terminal screens
5. Inter phase barrier
6. Handle

| Rating (A) | Overall dimensions | Terminal shrouds | Body  |       |       |       | Switch mounting |       | Connection |    |      |      |   |      |     |
|------------|--------------------|------------------|-------|-------|-------|-------|-----------------|-------|------------|----|------|------|---|------|-----|
|            | B                  | AC               | F 3p. | F 4p. | J 3p. | J 4p. | M 3p.           | M 4p. | T          | U  | V    | X    | Y | Z1   | AA  |
| 800        | 370                | 461              | 504   | 584   | 306.5 | 386.5 | 255             | 335   | 80         | 50 | 60.5 | 47.5 | 7 | 66.5 | 321 |
| 1000       | 370                | 461              | 504   | 584   | 306.5 | 386.5 | 255             | 335   | 80         | 50 | 60.5 | 47.5 | 7 | 66.5 | 321 |
| 1250       | 370                | 461              | 504   | 584   | 306.5 | 386.5 | 255             | 335   | 80         | 60 | 65   | 47.5 | 7 | 66.5 | 330 |
| 1600       | 380                | 531              | 596   | 716   | 398.5 | 518.5 | 347             | 467   | 120        | 90 | 44   | 53   | 8 | 67.5 | 288 |
| 1800       | 380                | 531              | 596   | 716   | 398.5 | 518.5 | 347             | 467   | 120        | 90 | 44   | 53   | 8 | 67.5 | 288 |

**ATyS 2000 to 3200 A**

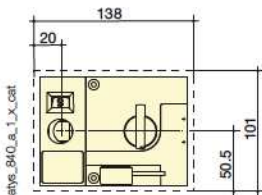


| Rating (A)    | Overall dimensions |       | Switch mounting |       |
|---------------|--------------------|-------|-----------------|-------|
|               | A 3p.              | A 4p. | M 3p.           | M 4p. |
| 2000 ... 3200 | 596                | 716   | 347             | 467   |

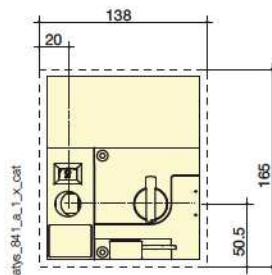
**Cut of dimensions**

**ATyS 125 to 630 A**

ATyS

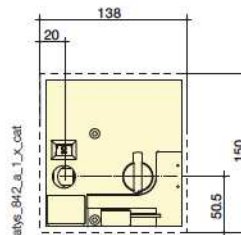


ATyS d, t, g, p

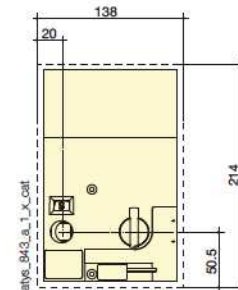


**ATyS 800 to 1800 A**

ATyS

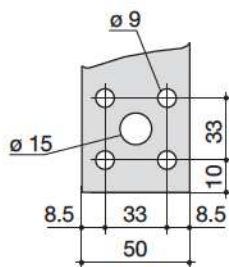


ATyS d, t, g, p

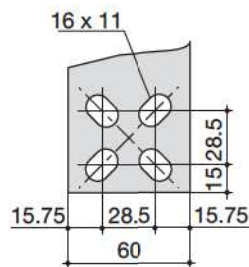


**Connection terminals**

**ATyS 800 to 1000 A**



**ATyS 1250 A**



**ATyS 1600 to 3200 A**

