



# ATyS A15

## ATS Controller

entry-level functionalities

Transfer switches

**new**



ATyS A15

### The solution for

- > ATS panels
- > Compact transfer enclosures
- > Basic ATS controls



### Strong points

- > Integrated AC Double Power Supply
- > Compact solution
- > Time saving configuration

### Conformity to standards

- > IEC 61010-2-201
- > IEC 60947-6-1
- > GB/T 14048.11 Annex C



### Function

ATyS A15 is an entry level ATSE controller without communications. It can be used to pilot a remotely operated transfer switch, such as ATyS r, ATyS S and ATyS d M, as well as contactors. ATyS A15 ensure the automatic or remotely controlled transfer from one source to another with fixed timers and thresholds.

### Advantages

#### Flexible space saving

The ATyS A15 controller can be mounted on either a DIN rail or to the panel door, offering flexibility and optimising space.

#### Cost-effective

The ATyS A15 has an integrated DPS, for supplying the motorisation of the switch, and can be door mounted, therefore there's no need for an external DPS or display, reducing installation time and costs.

#### Fast commissioning & testing

- 8 dip-switches allow very fast commissioning, even offline.
- All main functions such as remote position control, mode selection, lamp test and genset test on load are available on the front of the product allowing quick and easy operation.

### General characteristics

- Self-powered from sensing.
- Wide voltage range (184-300 VAC).
- 24 VDC aux power supply (for optional use).
- Main/Main or Main/Genset networks.
- Fixed I/O.
- Voltage sensing on all phases.
- Three-phase + Neutral & Single-phase + Neutral networks.
- Phase rotation checking.
- Door or DIN rail mounting.

### References

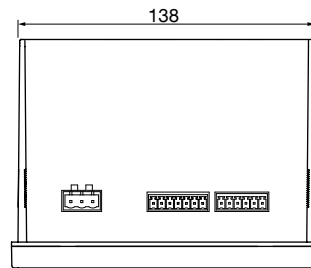
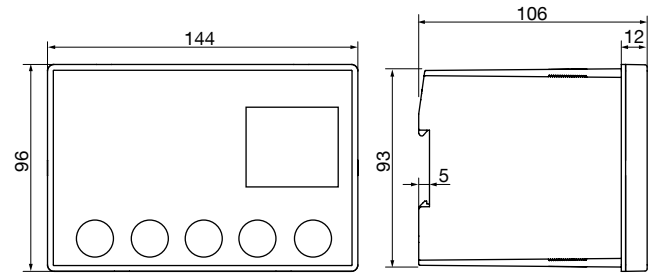
Description	Reference
ATyS A15 – ATS controller	1600 0015

## Front panel



1. Controller status indication.
2. Configuration dip-switches.
3. Lamp test / Test on Load (3s).
4. Position orders (in Manual).
5. Auto/Manu mode selector.
6. Mimic panel.

## Dimensions (mm)



atysc\_001\_b\_1\_x\_cat.ai

## Characteristics

### Electrical characteristics

AC operating limits	184 <sup>(1)</sup> - 300 VAC
Optional DC supply	24 VDC
Frequency limits	45 - 65 Hz
Power consumption	< 10 W
Inputs	5 - fixed (auto inhibit & 24 VDC fire input, position indication I-0-II)
Outputs	4 - fixed (position control I-0-II & genset start)
Impulse withstand	6/4 kV <sup>(2)</sup>
Overvoltage category	CAT 3

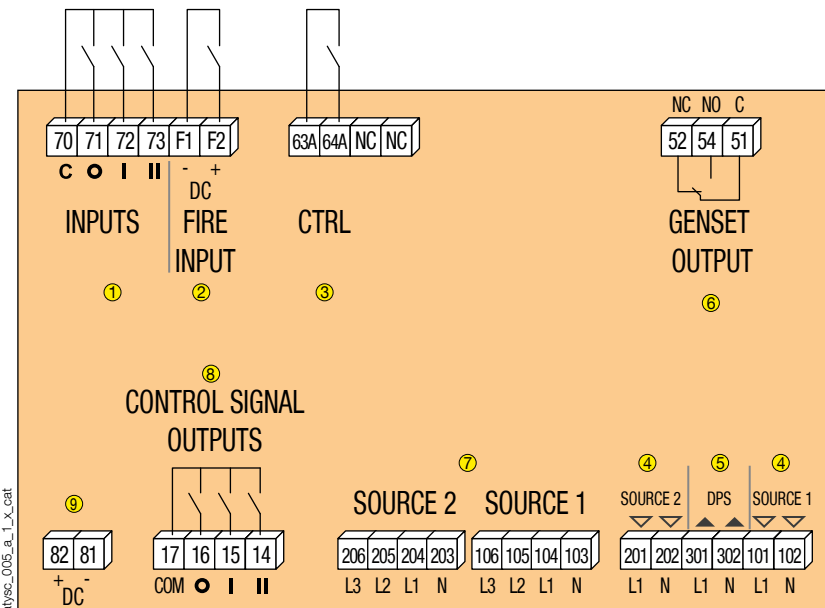
### Mechanical characteristics

Weight	830 gr
Door cutout	138 x 93 mm
Operating temperature	-25 ... +60°C

(1) 190 VAC in maintained mode.

(2) 6 kV tested between phases of a different source and 4 kV tested between phases of a the same source.

## Terminals



1. Switch position inputs
2. 24 VDC fire input (forces 0 & inhibit)
3. Control inputs
4. DPS input (source 1 and 2)
5. DPS output to motor
6. Genset NO/NC output
7. Voltage sensing S1 & S2
8. Control outputs to transfer device
9. 24 VDC aux power supply (for optional use)

atysc\_005\_a\_1\_x\_cat